

1 987 432 042

Fiat Ducato
Peugeot Boxer
Citroën Jumper

❄ 01.94 →
❄ 02.94 →
❄ 02.94 →

D Innenraumfilter
Montageanleitung

NL Interieurfilter
Montagehandleiding

GB Cabin filter
Installation instructions

E Filtro ventilacion
para interior
Instrucciones de montaje

F Filtre d'habitacle
Notice de montage

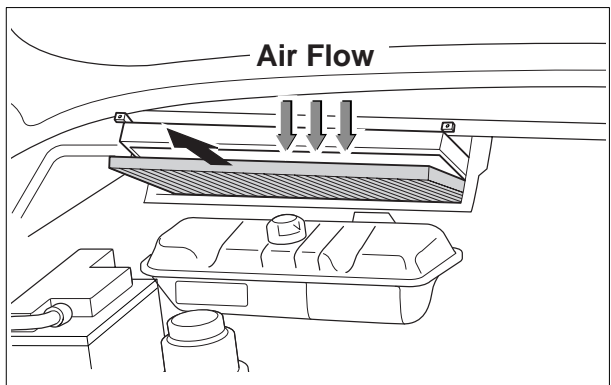
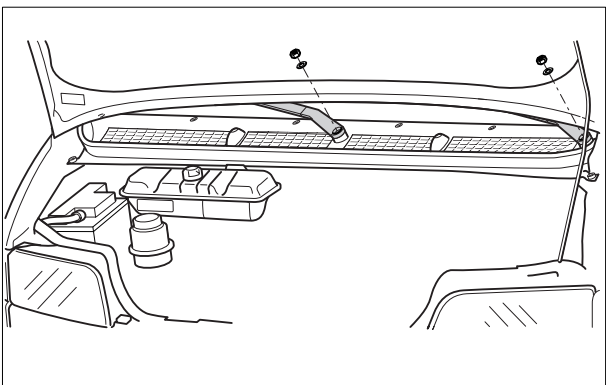
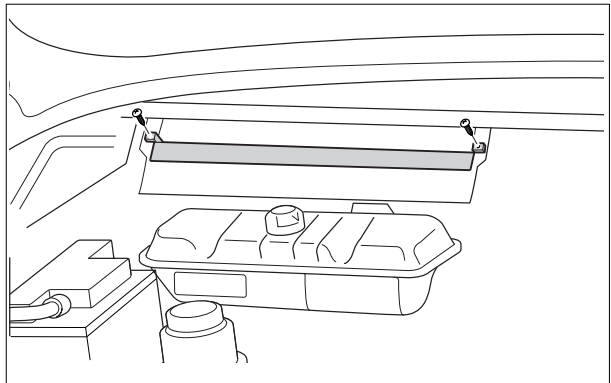
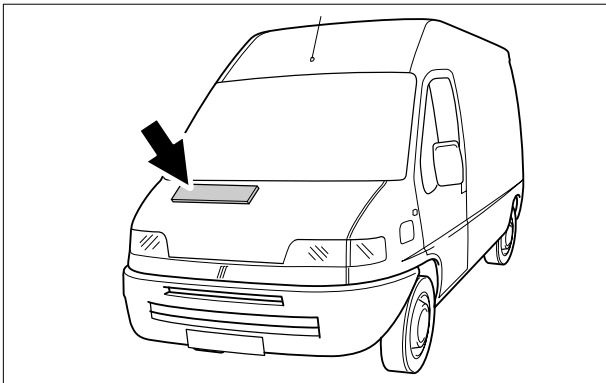
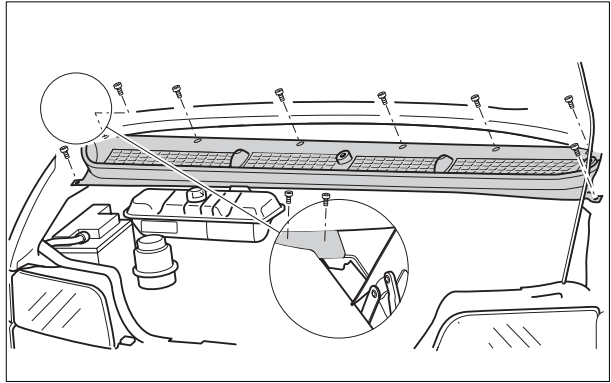
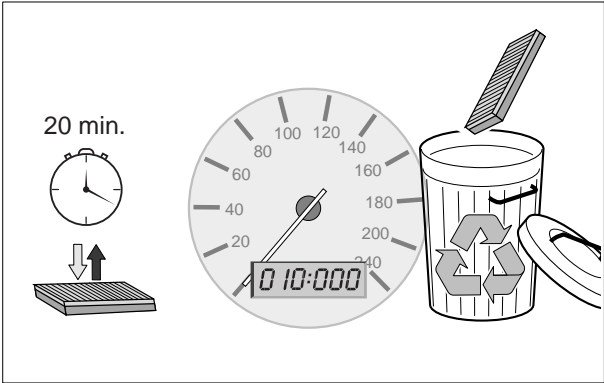
P Filtro de purificação
do habitáculo
Instruções de montagem

I Filtro abitacolo
Istruzioni di montaggio

S Kupéfilter
Installationsanvisning

BOSCH





2 Fiat Ducato, Peugeot Boxer, Citroën Jumper

Fiat Ducato, Peugeot Boxer, Citroën Jumper 3

Print.Nr. 1 987 431 E84 (03.07)



Service

+49 (0) 180-500 4745

gebührenpflichtig/subject to charges/payant



Robert Bosch GmbH
Postfach 41 09 60, D-76225 Karlsruhe
www.bosch-automotive.com



Gedruckt auf Recycling-Papier Printed in Germany
Printed on recycled paper Imprimé en Allemagne